



OWNER'S MANUAL

MANTIS RS360 ENCLOSURE FOR INSTA360 ONE RS 1-Inch 360 Edition

Please read these instructions carefully before using this product, and save this manual for future use. The latest version can be found on <https://www.mantis-sub.com/support/>.

For questions, email info@mantis-sub.com or visit <https://www.mantis-sub.com/>.

Please note that the actual controls and components, menu items, etc. of your camera and software may look somewhat different from those shown in the illustrations in this Owner's Manual.

Table of Contents

CAUTIONS FOR USE.....	4
WARRANTY AND LIMITATIONS OF LIABILITY.....	5
PACKAGE LIST.....	5
FEATURES.....	5
SPECIFICATIONS.....	5
PREPARING THE INSTA360 ONE RS 1-INCH 360 EDITION FOR USE.....	6
RECOMMENDED CAMERA SETTINGS FOR INSTA360 ONE RS.....	7
CAMERA IN RS360 HOUSING.....	8
PRE-DIVE CHECKLIST.....	9
POST-DIVE CHECKLIST.....	9
START A Recording.....	9
STOP A RECORDING.....	9
CARE AND MAINTENANCE.....	10
TRADEMARKS.....	12
CONTACT.....	13

ABOUT THE MANTIS RS360 ENCLOSURE

The [Insta360 ONE RS 1-inch 360 Edition](#) raises the bar for 360 video and photography quality. With the RS360 housing you can now take it as deep as 250m / 820ft underwater.

Enjoy effortless stitching, battery-saving one-button control for underwater on/off, and a M6x1 bulkhead port.

TOP ADVANTAGES OF THE MANTIS RS360 HOUSING

- Utilises increased low-light capability and dynamic range of the large dual 1-inch sensors (about 2 stops better than Pro 2).
- Much smaller nadir obstruction than polycarbonate housings due to clam shell design.
- Camera does not overheat. The direct contact with metal housing provides significantly increased heat dissipation.
- Much improved environmental protection over plastic housings due to stronger materials and hard coating.
- Domes and o-rings can be replaced and housing is fully serviceable by the user.

CAUTIONS FOR USE

- A water-tight test in a bathtub or similar is highly recommended when using the system for the first time and after the changing of port and O-ring(s). Submerge the enclosure fully for several minutes, and watch for any bubbles.
- Before cleaning the enclosure, remove the camera.
- Do not use solvents such as benzine, thinner, alcohol, kitchen detergents, etc, to clean the enclosure, since it may deteriorate the external case or the coating may peel off.
- Do not leave the enclosure with the lens facing the sun, as rays of light from the sun may cause damage to the camera.
- Do not use lubricants other than other brands with the nitrile rubber O-ring on this enclosure, only use the lubricant provided by Mantis.
- Discontinue use immediately should you notice any leakage.
- Store the enclosure in a robust, shock-proof container during transportation; avoid transporting while turned on.
- When travelling by air, do not close the enclosure latches, as this may lead to a pressure difference between the atmosphere and inside the enclosure.
- Care must be taken when opening the enclosure, as pressure may build up inside the enclosure which increases the opening force.
- Do not open the product in a wet or sandy environment. Protect the interior from moisture and debris in order to prevent malfunction or leakage.
- Do not store the product in an environment of high humidity.
- Do not leave the enclosure in direct sunlight for prolonged periods.
- Do not store the product with closed latches as this can wear out the latch springs and enclosure o-rings faster.
- Keep out of reach of children, failure to do so could result in injury.
- Defective products should be shipped to our factory or distributors for service. Unauthorised disassembling and/or modifications could result in malfunction or leakage.

WARRANTY AND LIMITATIONS OF LIABILITY

For warranty, limitations of liability and terms of sale see our standard terms at <https://www.mantis-sub.com/>

PACKAGE LIST

- 1x Soft camera bag
- 1x Mantis RS360 underwater enclosure with
 - 2x domes, mounted.
 - 1x M14 Port plug, installed.
 - 2x Sacrificial anodes, installed.
- 1x 2.5mm hex key for domes.
- 1x O-ring kit.
- 1x O-ring grease.
- 1x Neoprene bag for underwater enclosure.
- 1x USB-C port plug.
- 1x Quick Start Guide

FEATURES

- Clean zenith
- Effortless stitching with the Insta360 Studio Apps
- Rated to 250m / 820ft depth (tested to 300m / 967ft).
- Underwater on/off with camera Quick Start
- M6x1 bulkhead port

SPECIFICATIONS

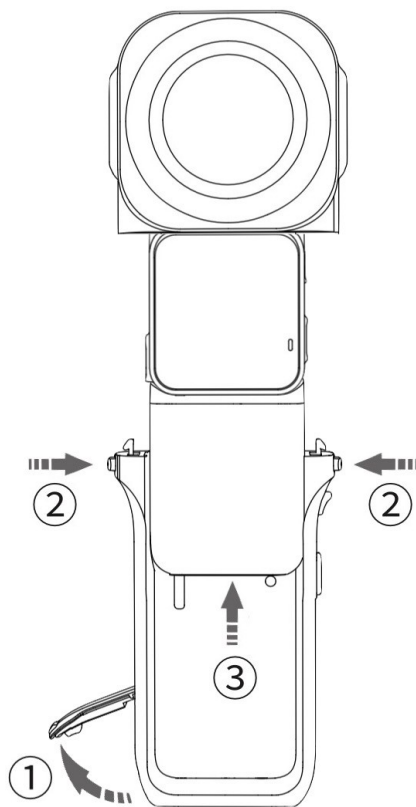
- Material: Aluminum alloy hard anodized
- Depth Rating: 250m / 820 feet
- Domes: 4", Acrylic
- Dimensions: 190mm x 124mm x 124mm / 7.5" x 4.9" x 4.9"
- Weight housing only: 850gr / 30oz
- Weight with camera: 1080gr / 38oz
- Buoyancy in saltwater: -108gr / -3.8oz
- Buoyancy in freshwater: -130gr / -4.6oz
- Top mount points: 2x M4
- Bottom mount points: 4x 1/4-20 UNC
- Bottom bulkhead port: M6x1 mm

PREPARING THE INSTA360 ONE RS 1-INCH 360 EDITION FOR USE

The Mantis RS360 housing is designed for the Insta360 ONE RS 1-inch Edition without the mounting bracket. This is so that the domes can be mounted closer to the lenses for better stitching.

To remove the Insta360 ONE RS 1-inch Edition from the mounting bracket follow these steps:

1. Open the charge port cover.
2. Push the retaining clips on both sides of the mounting bracket to release the camera assembly.
3. Slide the camera assembly out of the mounting bracket.



Important: Please confirm the USB-C port plug is installed on the camera's charge port before placing the camera into the housing.

The port plug is designed to prevent damage to the battery electronics from water that may drop into the housing when it is opened. If the port plug is damaged or lost we recommend covering the charge port with electrical tape.

Please configure the camera with the following settings.

RECOMMENDED CAMERA SETTINGS FOR INSTA360 ONE RS

- **Recording mode (swipe right from left edge)**
 - Recording mode: Video
- **Video mode (tap on bottom edge)**
 - Video mode: 6K 2:1/30
- **Configuration settings (swipe down from top edge)**
 - Quick capture: On
 - Indicator light: On
 - Sharpness: Low
 - Brightness: Low
 - Voice control: Off
 - Automatic screen rotation: On
 - WiFi: Auto On/Off
 - Screen auto sleep during recording: On
- **Recording settings (swipe left from right edge)**
 - Color: Standard
 - Shutter: Auto (1/100s in Manual mode)
 - ISO: Auto (800MAX in Manual mode)
 - Ev: 0.0
 - WB: 6500k
 - Isolated Exposure: Off

Notes:

1. Quick Capture is required for the housing button to work
2. The indicator light is required to see the recording status during recording.
3. Sharpness: Low settings means no artificial sharpening is applied to the image during recording.
4. Voice control, WiFi: Auto On/Off, and Screen Auto Sleep are settings to safe battery life.

CAMERA IN RS360 HOUSING



PRE-DIVE CHECKLIST

1. Confirm the Insta360 ONE RS is charged and properly seated
2. Confirm the USB-C port plug is installed on the camera's charge port.
Note: The port plug is designed to prevent damage to the battery electronics from water that may drop into the housing when it is opened. If the port plug is damaged or lost we recommend covering the charge port with electrical tape.
3. Confirm the O-ring is in place, undamaged, and free of debris.
4. Confirm the O-ring was not pinched while the housing was closed.
5. Confirm both latches are fully closed.
6. Press the power button to power on Insta360 ONE RS.
7. Observe display to confirm Insta360 ONE RS is starting.
8. Confirm the status LED on the back is blinking red to show the camera is recording.
9. Press the power button to stop recording and turn off Insta360 ONE RS.

POST-DIVE CHECKLIST

- Place the enclosure inside the neoprene bag to protect the domes while getting out of the water.
- Remove the housing from water.
- Rinse the enclosure with fresh water after use.
- Wipe the housing with a towel and hold it upright before opening so that no water can drip inside.
- Remove the camera and charge it.
 - Note: Please use a 5V/2A power adapter to charge your ONE RS
 - The battery can only be charged with a USB-A to USB-C cable.

START A RECORDING

- Prerequisite: Quick capture is turned on.
- Press the button to turn on camera and start recording.
- Observe display to confirm Insta360 ONE RS is starting.
- Confirm the status LED on the back is blinking red to show the camera is recording.

STOP A RECORDING

- Press the button to turn on camera and start recording.
- Observe display to confirm Insta360 ONE RS has received the command.
- Confirm the status LED on the back has stopped blinking.

CARE AND MAINTENANCE

1. Soak the enclosure in fresh water after each salt water use, during which all control buttons/knobs should be operated a few times to avoid the accumulation of salt residue; wipe the enclosure with a towel before opening.
1. After each day of diving, it is advisable to have the main O-ring in the front part of the enclosure removed from its groove and inspected for damage. Also check that the O-ring retains its original circular shape; never stretch the O-ring excessively or remove it with a sharp object.
2. The O-ring groove should be cleaned to ensure it is free from any salt deposit or foreign material; lightly coat the O-ring with the provided lubricant before reinstalling it in the groove.
3. A damaged O-ring should be discarded immediately and replaced only with one that is provided by Mantis.
4. Replace the tow main O-rings and three dome O-rings annually.
5. We recommend that you ship the enclosure to the factory or our distributor for a complete overhaul every year or after every 200 dives.

RECOMMENDED MEMORY CARDS

1. The Insta360 ONE RS 1-inch 360 Edition records about 1 GB per minute in 6K mode, and the battery lasts for about 60 minutes. We recommend a 128GB card.
2. Please use exFAT Format MicroSD cards of speed classes UHS-I and V30.
3. Please do not use UHS-II, UHS-III Micro SD/TF cards or memory cards larger than 1TB. These cards are not compatible with ONE RS and may cause your recording to fail.
4. The maximum supported storage space of the Insta360 ONE RS is 1TB.
5. For specific info on supported MicroSD card models, see <https://onlinemanual.insta360.com/oners/en-us/faq/compatibility/memory>

At the time of writing, the following cards are supported:

Micro SD Cards	Model Number	Capacity	Speed Class
Sandisk Extreme V30 A1	SDSQXVF-032G-GN6MA	32G	V30
Sandisk Extreme Pro V30 A1	SDSQXCG-032G-GN6MA	32G	V30
Sandisk Extreme Pro V30 A1	SDSQXCG-064G-GN6MA	64G	V30
Sandisk Extreme V30 A1	SDSQXAF-128G-GN6MA	128G	V30
Sandisk Extreme V30 A2	SDSQXAF-128G-GN6MA	64G	V30
Sandisk Extreme V30 A2	SDSQXA1-256G-ZN6MA	256G	V30
Sandisk Extreme Pro V30 A2	SDSQXCZ-1T00-ZN6MA	1TB	V30
Lexar 1066x microSD UHS-I SILVER Series	LMS1066064G-BN	64G	V30
Lexar 1066x microSD UHS-I SILVER Series	LMS10660128G-BN	128G	V30

TRADEMARKS

- Insta360 and ONE RS are trademarks or registered trademarks of Shenzhen ARASHI VISION INC.in the United States and/or other countries.
- All product names, logos, brands, trademarks and registered trademarks are property of their respective owners. All company, product and service names used in this manual are for identification purposes only. Use of these names, trademarks and brands does not imply endorsement.

CONTACT

Global Dive Limited
52 Remuera Road
Auckland, 1050
New Zealand

Web: <https://www.mantis-sub.com/>

Email: info@mantis-sub.com

Tel: +64 (0) 9 920 5200